

# Standard Accessories & Roof Accessory Details

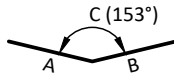
## STANDARD DECK ACCESSORIES

### Notes:

- Accessories are furnished with G60 galvanized coating minimum, in 10'-0" lengths.
- Standard accessories are 20 gage - U.N.O.
- New Millennium can provide special light-gage accessories to meet your project requirements, including notched or reinforced Pour Stops and accessories made of 304 stainless steel. Contact New Millennium for availability and pricing.

### Std. Dims:

RVP1: A & B = 4½"  
RVP2: A & B = 6"

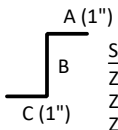


RIDGE/VALLEY PLATE (RVPx)



Std. Dims:  
FP6: A = 6"  
FP9: A = 9"  
FP12: A = 12", 18 Ga.

FLAT PLATE (FPx)



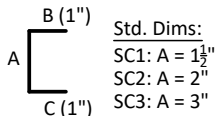
Std. Dims:  
ZC1: B = 1½"  
ZC2: B = 2"  
ZC3: B = 3"

Z CLOSURE (ZCx)



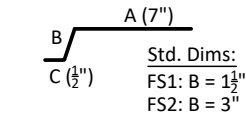
Std. Dims:  
CC1: A = 1½"  
CC2: A = 2"  
CC3: A = 3"

CELL CLOSURE (CCx)



Std. Dims:  
SC1: A = 1½"  
SC2: A = 2"  
SC3: A = 3"

SIDE CLOSURE (SCx)

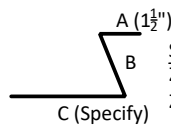


FILLER SHEET - B & N (FSx)

### Std. Dims:

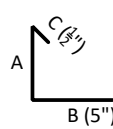
GF3: A = 4" (3" Gap)  
GF6: A = 7", 14 Ga. (6" Gap)  
GF9: A = 10", 14 Ga. (9" Gap)  
GF12: A = 13", 12 Ga. (12" Gap)  
Contact New Millennium for gage reqmts. when total NW concrete slab exceeds 12"

GIRDER FILLER (GFx)



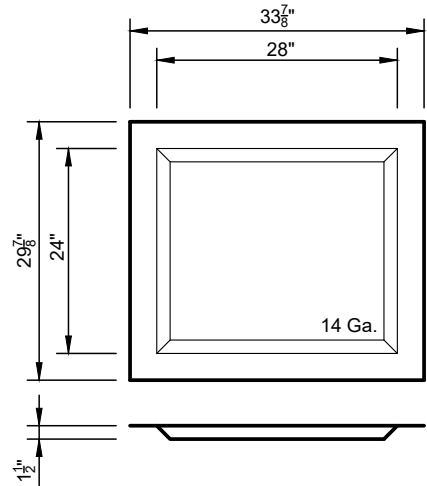
Std. Dims:  
ZEE1: B = 2"  
ZEE2: B = 3½"

ZEE CLOSURE - VERSA (ZEEx)



Std. Dims:  
PS1: A = 3"  
PS2: A = 3½"  
PS3: A = 4"  
PS4: A = 4½", 18 Ga.  
PS5: A = 5", 18 Ga.

POUR STOP (PSx)



RECESSED SUMP PAN (SUMP)

### MISC. STOCK ITEMS

10-1/10-1FM: #10-16 x ¾" Type 1 Side Lap Screw  
10-3/10-3FM: #10-16 x ¾" Type 3 Side Lap Screw  
12-3/12-3FM: #12-14 x ¾" Type 3 Side Lap Screw  
12-5/12-5FM: #12-24 x 1¼" Type 5 Support Screw  
COL: 12" x 24" x 20 Gage Plate Column Closure or 27" x 96" Metal Lath-Type Column Closure\*  
WW: Weld Washer w/ ⅜" Ø Hole, 16 Ga.  
\* Only Available at Certain Facilities

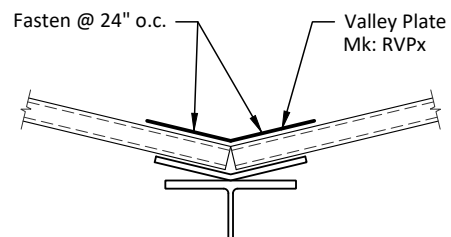
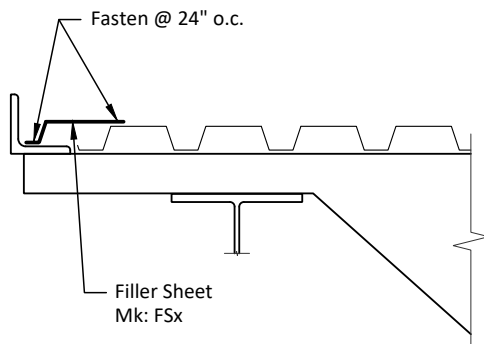
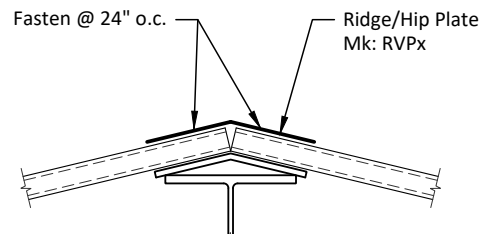
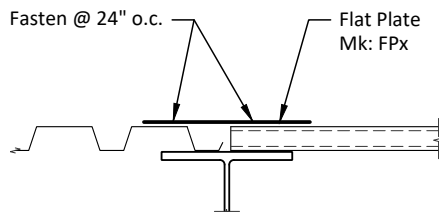
### MISC. SPECIAL ITEMS\*\*

Piercing & Non-Piercing Hanger Tabs  
Top/Bottom Side Flexible Rubber Closures  
\*\* Not supplied by New Millennium

## ROOF DECK ACCESSORY INSTALLATION DETAILS

### Note:

- Accessories shall be attached to supporting structure or deck as required for serviceability, but spaced not to exceed criteria shown in details.



Note: information on this page is from page 261 of our Steel Roof and Floor Deck Catalog, version 3.0